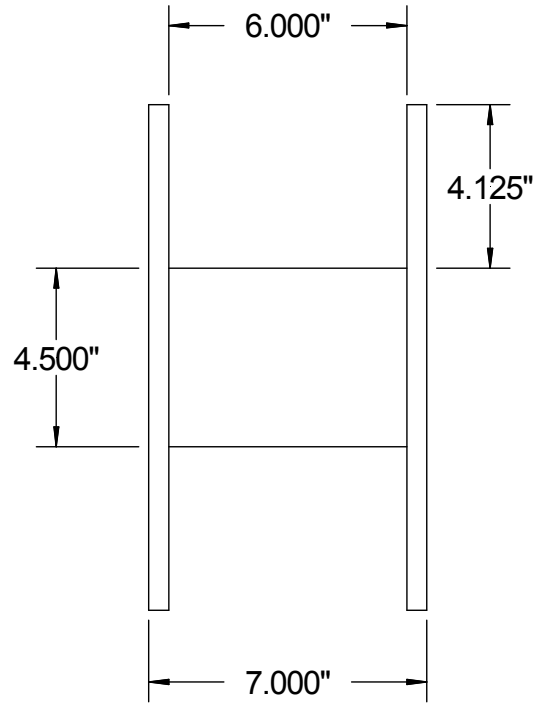
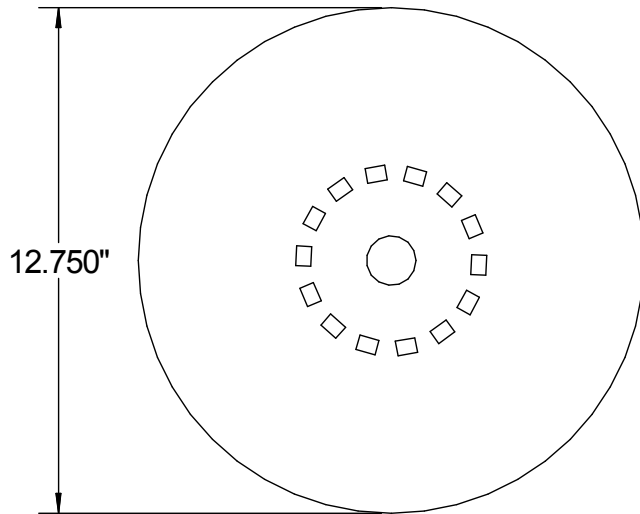


120 LB. MASONITE SPOOL



Specifications

Part No.	: X9610012
Color	: Tan
Barrel Material	: Metal
Flange Material	: Masonite
Tare Weight	: 4.10 lbs
Barrel Circum.	: 14.137 in
Arbor	: 1.25 in
Wire Capacity	: 120 lbs

